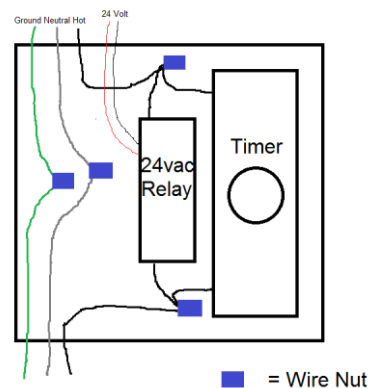


VENDOR NAME	Minimum Labor Charge per hour	Discount percentage off of manufacturer's retail price
Amcomm Telecommunications Inc	\$65	Varies by product, but generally about 20%
Wolff Networks, LLC	\$65	14% for Corning and Leviton only
Professional Communications Services, Inc.	\$55	Cost plus 10%
Huron Valley Cabling & Consulting	\$70	non responsive
Wiltec Technologies, Inc.	\$65	10%
Suntel Services	\$57.80	non responsive



As read at Bid Opening  
Prepared By:  
Tracy Murray  
Management Assistant/Purchasing  
Thursday, May 21, 2015