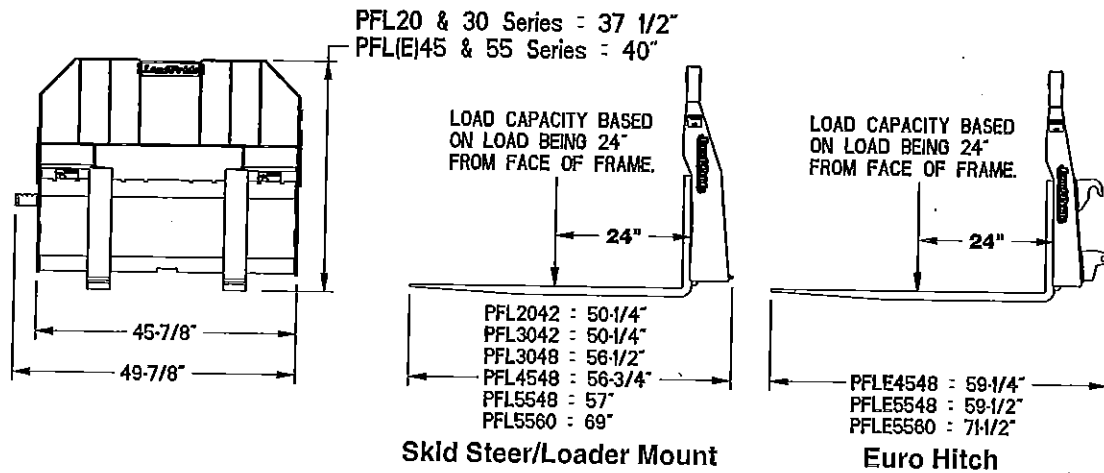


PFL & PFLE Series

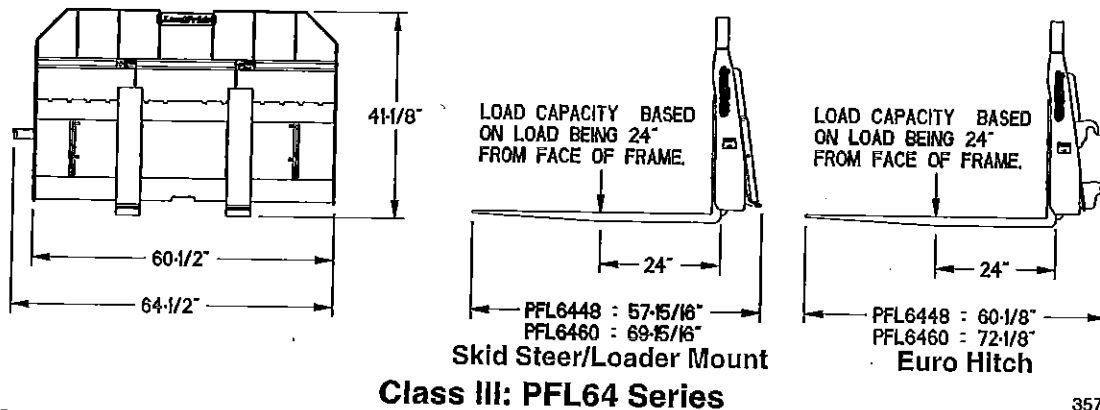
List	Specifications & Capacities							
	2042	PFL 3042	*3048	4548	5548	PFL & PFLE		
Model Numbers	2042	3042	*3048	4548	5548	5560	6448	6460
Side Step	Yes	Yes	Yes	Yes	Yes	Yes	Yes	Yes
Skid Steer Mount	N/A*	N/A*	N/A*	No	No	No	No	No
Euro Hitch								
Weight	330 lbs.	340 lbs.	358 lbs.	412 lbs.	436 lbs.	482 lbs.	686 lbs.	744 lbs.
Skid Steer Mount	N/A*	N/A*	N/A*	422 lbs.	446 lbs.	492 lbs.	683 lbs.	741 lbs.
Euro Hitch								
Lift Capacity	2,100 lbs.	3,000 lbs.		4,500 lbs	5,500 lbs		6,400 lbs	
	Lift capacity is based on load being 24" from face of Frame (Cross bar). Load must be palletized and supported by two forks.							
Class	II		II		II		III	
Frame Width	45 7/8"		45 7/8"		45 7/8"		60 1/2"	
Frame Height	37 1/2"		37 1/2"	40"	40"		41 1/8"	
Tine Thickness	1"	1 1/4"	1 1/4"	1 1/2"	1 3/4"		1 3/4"	
Tine Width	4"		4"		4"		4 3/4"	
Tine Length	42"		48"		48"	60"	48"	60"
Fork Positioning Lock	Spring Loaded Toggle							

* Euro Style Hitch is not available with this model



Class II: PFL20, PFL30, PFL40, & PFL55 Series

35798



Class III: PFL64 Series

35799